

Magnet included in 7/8" and 1-1/4" bore only in double acting cylinder



THEORETICAL CYLINDER FORCE (LBS)

Bore. Size	Action	Operating Pressures (PSI)					
		25	50	75	100	125	150
3/4"	Out	11.1	22.1	33.1	44.2	55.3	66.3
	IN	9.8	19.7	29.5	39.3	49.1	59.0
7/8"	Out	15.0	30.1	45.1	60.1	75.1	90.2
	IN	13.8	27.6	41.4	55.2	69.0	82.8
1 1/16"	Out	22.2	44.4	66.5	88.7	111.0	133.0
	IN	20.3	40.6	60.8	81.1	101.0	122.0
1 1/4"	Out	30.7	61.4	92.0	123.0	153.0	184.0
	IN	26.9	53.9	80.8	108.0	135.0	162.0
1 1/2"	Out	44.2	88.4	133.0	177.0	221.0	265.0
	IN	40.4	80.9	121.0	162.0	202.0	243.0

Applications

- For compressed air
- Ideal for the pharmaceutical, food and dairy industries

Features

- Superior quality cylinders
- Bumper integrated into piston
- Interchangeable with most of well-known brands
- Single or double acting cylinders available
- Tube made of polished low friction stainless steel
- Magnetic actuator built into piston available upon request
- Magnetic actuator standard on 7/8" & 1-1/4" bore

Specifications

Maximum Working Pressure
250 PSI

Working Temperature
5°C to 60°C (40°F to 140°F)

Lubrication
Not required (Factory Lubricated)

Construction
 Body : Stainless Steel
 Rod : 3/4" and 7/8" : Stainless Steel
 1-1/16" to 1-1/2" : Carbon Steel
 Piston and Seal: Aluminum Alloy
 Spring (Single Action): Tempered Steel
 Seals : NBR
 Bumper: Urethane

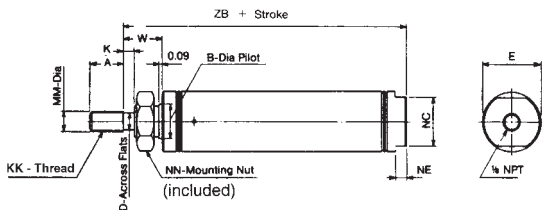
IDEAL FOR THE PHARMACEUTICAL AND FOOD INDUSTRIES



**For any questions
 or information about
 compressed air
 you may contact us at
 Tel. : 1-888-730-0501
 Fax : 1-888-730-3522
 or visit our web site at
www.airmax.ca**



SINGLE ACTING - FRONT NOSE MOUNTING (WITH SPRING RETURN)



Stroke (in.)	Bore Size				
	3/4"	7/8"	1-1/16"	1-1/4"	1-1/2"
1/2	83.3000	83.3100	83.3200	83.3300	83.3400
1	83.3001	83.3101	83.3201	83.3301	83.3401
1.5	83.3001.5	83.3101.5	83.3201.5	83.3301.5	83.3401.5
2	83.3002	83.3102	83.3202	83.3302	83.3402
2.5	83.3002.5	83.3102.5	83.3202.5	83.3302.5	83.3402.5
3	83.3003	83.3103	83.3203	83.3303	83.3403
3.5	83.3003.5	83.3103.5	83.3203.5	83.3303.5	83.3403.5
4	83.3004	83.3104	83.3204	83.3304	83.3404
4.5	83.3004.5	83.3104.5	83.3204.5	83.3304.5	83.3404.5
5	83.3005	83.3105	83.3205	83.3305	83.3405
5.5	83.3005.5	83.3105.5	83.3205.5	83.3305.5	83.3405.5
6	83.3006	83.3106	83.3206	83.3306	83.3406

Bore (in.)	MM	KK	Dimensions										
			A	B	D	E	K	NC	NE	NN	W	ZB	ZC
3/4	.250	1/4-28	0.50	0.496	-	0.86	-	0.62	0.12	1/2-20	0.44	2.97	1.69
7/8	.250	1/4-28	0.50	0.624	-	0.93	-	0.75	0.18	5/8-18	0.50	2.94	1.56
1-1/16	.312	5/16-24	0.50	0.624	0.25	1.12	0.12	0.88	0.24	5/8-18	0.62	3.25	1.56
1-1/4	.437	7/16-20	0.75	0.749	0.38	1.32	0.25	1.06	0.25	3/4-16	0.88	4.00	1.81
1-1/2	.437	7/16-20	0.75	0.749	0.38	1.56	0.25	1.25	0.25	3/4-16	0.88	3.69	1.69

Model A

SINGLE ACTING - UNIVERSAL MOUNTING (WITH SPRING RETURN)

Model A

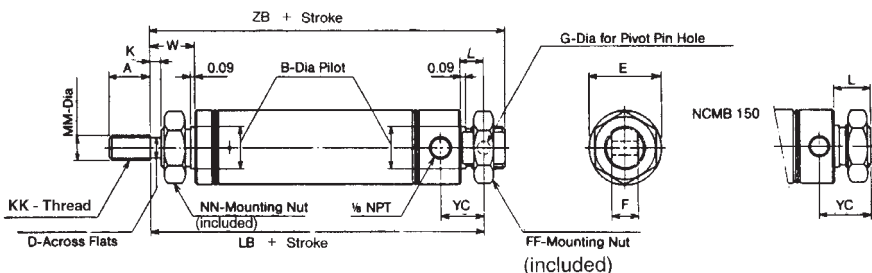
Model B



Stroke (in.)	Bore Size					
	3/4"	7/8"	1-1/16"	1-1/4"	1-1/2"	1-1/2"
1/2	83.3500	83.3600	83.3700	83.3800	83.3900	83.3900-C
1	83.3501	83.3601	83.3701	83.3801	83.3901	83.3901-C
1.5	83.3501.5	83.3601.5	83.3701.5	83.3801.5	83.3901.5	83.3901.5-C
2	83.3502	83.3602	83.3702	83.3802	83.3902	83.3902-C
2.5	83.3502.5	83.3602.5	83.3702.5	83.3802.5	83.3902.5	83.3902.5-C
3	83.3503	83.3603	83.3703	83.3803	83.3903	83.3903-C
3.5	83.3503.5	83.3603.5	83.3703.5	83.3803.5	83.3903.5	83.3903.5-C
4	83.3504	83.3604	83.3704	83.3804	83.3904	83.3904-C
4.5	83.3504.5	83.3604.5	83.3704.5	83.3804.5	83.3904.5	83.3904.5-C
5	83.3505	83.3605	83.3705	83.3805	83.3905	83.3905-C
5.5	83.3505.5	83.3605.5	83.3705.5	83.3805.5	83.3905.5	83.3905.5-C
6	83.3506	83.3606	83.3706	83.3806	83.3906	83.3906-C

Model B

Available in 1-1/2" Bore only

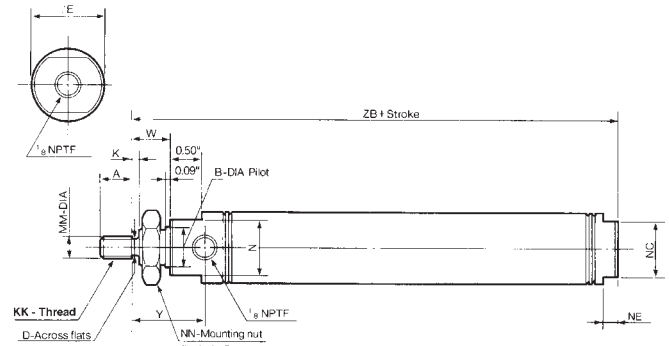


Bore (in.)	MM	KK	Dimensions														
			A	B	D	E	F	FF	G	K	L	LB	NN	W	YC	ZB	ZC
3/4	.250	1/4-28	0.50	0.496	-	0.86	0.38	5/8-18	0.251	-	0.34	2.28	1/2-20	0.50	0.62	2.56	1.69
7/8	.250	1/4-28	0.50	0.624	-	0.93	0.38	5/8-18	0.251	-	0.34	2.47	5/8-18	0.50	0.62	2.75	1.56
1-1/16	.312	5/16-24	0.50	0.624	0.25	1.12	0.38	5/8-18	0.251	0.12	0.34	2.66	5/8-18	0.62	0.62	2.94	1.56
1-1/4	.437	7/16-20	0.75	0.749	0.38	1.32	0.50	3/4-16	0.251	0.25	0.41	3.38	3/4-16	0.88	0.78	3.78	1.81
1-1/2	.437	7/16-20	0.75	0.749	0.38	1.56	0.62	-	-	0.25	0.50	3.12	3/4-16	0.88	0.78	3.50	1.69

DOUBLE ACTING - FRONT NOSE MOUNTING



Stroke (in.)	Bore Size				
	3/4"	7/8"	1-1/16"	1-1/4"	1-1/2"
1/2	83.4000	83.4100	83.4200	83.4300	83.4400
1	83.4001	83.4101	83.4201	83.4301	83.4401
1.5	83.4001.5	83.4101.5	83.4201.5	83.4301.5	83.4401.5
2	83.4002	83.4102	83.4202	83.4302	83.4402
2.5	83.4002.5	83.4102.5	83.4202.5	83.4302.5	83.4402.5
3	83.4003	83.4103	83.4203	83.4303	83.4403
3.5	83.4003.5	83.4103.5	83.4203.5	83.4303.5	83.4403.5
4	83.4004	83.4104	83.4204	83.4304	83.4404
4.5	83.4004.5	83.4104.5	83.4204.5	83.4304.5	83.4404.5
5	83.4005	83.4105	83.4205	83.4305	83.4405
5.5	83.4005.5	83.4105.5	83.4205.5	83.4305.5	83.4405.5
6	83.4006	83.4106	83.4206	83.4306	83.4406
7	83.4007	83.4107	83.4207	83.4307	83.4407
8	83.4008	83.4108	83.4208	83.4308	83.4408
10	83.4010	83.4110	83.4210	83.4310	83.4410
12	83.4012	83.4112	83.4212	83.4312	83.4412



Bore (in.)	Dimensions													
	MM	KK	A	B	D	E	K	N	NC	NE	NN	W	Y	ZB
3/4	.250	1/4-28	0.50	0.624	-	0.86	-	0.75	0.62	0.12	5/8-18	0.50	0.95	2.97
7/8	.250	1/4-28	0.50	0.624	-	0.93	-	0.75	0.75	0.18	5/8-18	0.50	0.95	2.94
1-1/16	.312	5/16-24	0.50	0.624	0.25	1.12	0.12	0.88	0.88	0.24	5/8-18	0.62	1.17	3.25
1-1/4	.437	7/16-20	0.75	0.749	0.38	1.32	0.25	1.06	1.06	0.25	3/4-16	0.88	1.62	4.00
1-1/2	.437	7/16-20	0.75	0.749	0.38	1.56	0.25	1.25	1.25	0.25	3/4-16	0.88	1.50	3.69

DOUBLE ACTING - UNIVERSAL MOUNTING

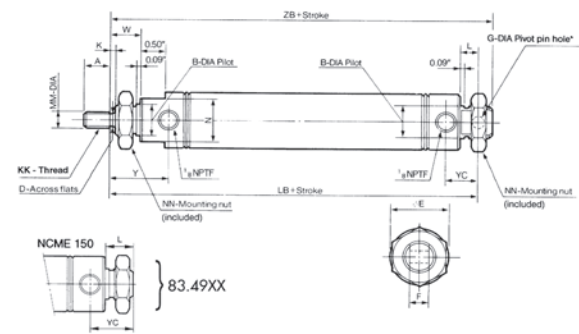
Model A

Model B

Model A



Stroke (in.)	Bore Size					1-1/2"
	3/4"	7/8"	1-1/16"	1-1/4"	1-1/2**	
1/2	83.4500	83.4600	83.4700	83.4800	83.4900	83.4900-C
1	83.4501	83.4601	83.4701	83.4801	83.4901	83.4901-C
1.5	83.4501.5	83.4601.5	83.4701.5	83.4801.5	83.4901.5	83.4901.5-C
2	83.4502	83.4602	83.4702	83.4802	83.4902	83.4902-C
2.5	83.4502.5	83.4602.5	83.4702.5	83.4802.5	83.4902.5	83.4902.5-C
3	83.4503	83.4603	83.4703	83.4803	83.4903	83.4903-C
3.5	83.4503.5	83.4603.5	83.4703.5	83.4803.5	83.4903.5	83.4903.5-C
4	83.4504	83.4604	83.4704	83.4804	83.4904	83.4904-C
4.5	83.4504.5	83.4604.5	83.4704.5	83.4804.5	83.4904.5	83.4904.5-C
5	83.4505	83.4605	83.4705	83.4805	83.4905	83.4905-C
5.5	83.4505.5	83.4605.5	83.4705.5	83.4805.5	83.4905.5	83.4905.5-C
6	83.4506	83.4606	83.4706	83.4806	83.4906	83.4906-C
7	83.4507	83.4607	83.4707	83.4807	83.4907	83.4907-C
8	83.4508	83.4608	83.4708	83.4808	83.4908	83.4908-C
10	83.4510	83.4610	83.4710	83.4810	83.4910	83.4910-C
12	83.4512	83.4612	83.4712	83.4812	83.4912	83.4912-C



Model B

Available in 1-1/2" Bore only



* Model A, 1-1/2" - No hole for fixing a rear pivot

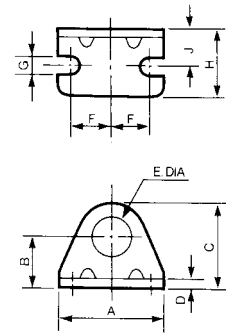
Bore (in.)	Dimensions																
	MM	KK	A	B	D	E	F	G	K	L	LB	N	NN	W	Y	YC	ZB
3/4	.250	1/4-28	0.50	0.624	-	0.86	0.38	0.251	-	0.34	3.75	0.75	5/8-18	0.50	0.95	0.62	4.03
7/8	.250	1/4-28	0.50	0.624	-	0.93	0.38	0.251	-	0.34	3.56	0.75	5/8-18	0.50	0.95	0.62	3.84
1-1/16	.312	5/16-24	0.50	0.624	0.25	1.12	0.38	0.251	0.12	0.34	3.84	0.88	5/8-18	0.62	1.17	0.62	4.12
1-1/4	.437	7/16-20	0.75	0.749	0.38	1.32	0.50	0.251	0.25	0.41	4.72	1.06	3/4-16	0.88	1.62	0.78	5.12
1-1/2	.437	7/16-20	0.75	0.749	0.38	1.56	-	-	0.25	0.63	-	1.25	3/4-16	0.88	1.50	0.91	4.50

FOOT BRACKET (SCREW INCLUDED)

Part No.	Applicable Bore Size (In.)
83.4940	3/4, 7/8 and 1-1/16
83.4945	1-1/4 and 1-1/2

Dimensions

Bore (in.)	A	B	C	D	E	F	G	H	J
3/4, 7/8, 1-1/16	1.89	0.81	1.36	0.12	0.63	0.75	0.27	0.98	0.56
1-1/4, 1-1/2	2.52	1.00	1.75	0.12	0.75	0.94	0.27	1.50	0.75

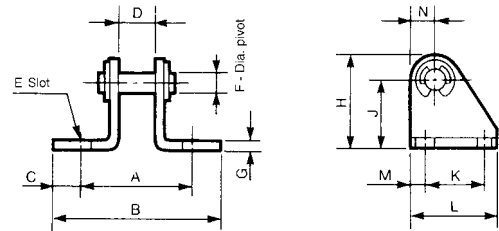


PIVOT BRACKET (ROD AND SPLIT PIN INCLUDED)

Part No.	Applicable Bore Size (In.)
83.4950	3/4, 7/8 and 1-1/16
83.4954	1-1/4 and 1-1/2
83.4958	1-1/2 Universal

Dimensions

Bore (in.)	A	B	C	D	E	F	G	H	J	K	L	M	N
3/4, 7/8, 1-1/16	1.25	1.95	0.35	0.38	0.27	0.250	0.12	1.18	0.88	0.75	1.10	0.18	0.31
1-1/4, 1-1/2	1.38	2.08	0.35	0.50	0.27	0.250	0.12	1.18	0.88	0.75	1.10	0.18	0.31
1-1/2 Universal						0.375							

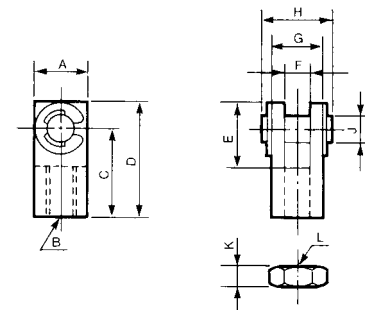


ROD CLEVIS (NUT, ROD AND SPLIT PIN INCLUDED)

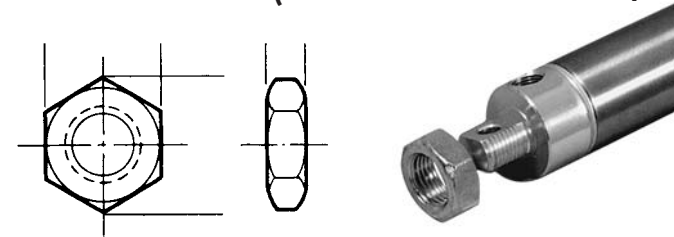
Part No.	Applicable Bore Size (In.)
83.4960	3/4, 7/8
83.4963	1-1/16
83.4965	1-1/4, 1-1/2

Dimensions

Bore (in.)	A	B	C	D	E	F	G	H	J	K	L
3/4, 7/8	0.51	1/4-28	0.94	1.18	0.69	0.25	0.51	0.71	0.25	0.16	1/4-28
1-1/16	0.51	5/16-24	0.94	1.18	0.69	0.25	0.51	0.71	0.25	0.19	5/16-24
1-1/4, 1-1/2	0.75	7/16-20	1.31	1.69	0.94	0.38	0.75	1.02	0.38	0.25	7/16-20

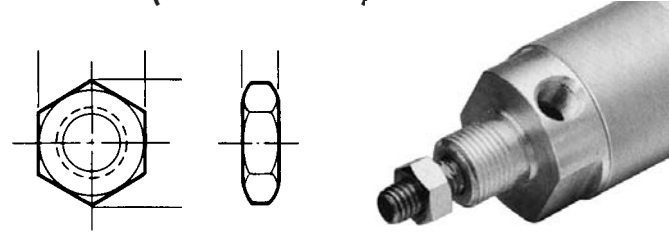


MOUNTING NUT (NOSE MOUNT THREAD)



Part No.	Applicable Bore Size (In.)
83.4970	3/4, 7/8 and 1-1/16
83.4975	1-1/4 and 1-1/2

JAM NUT (ROD THREAD)



Part No.	Applicable Bore Size (In.)
83.4980	3/4, 7/8
83.4983	1-1/16
83.4985	1-1/4, 1-1/2

MAGNETIC AUTO SWITCH

REED SWITCH

Part No.	Indicator light	Voltage
83.5103	Yes	24 vdc
		100 vac
		200 vac
83.5113	No	24 vdc
		24 vac
		100 vac
		200 vac

MOUNTING BAND

Part No.	Bore Size
83.5150	3/4
83.5151	7/8
83.5152	1-1/16
83.5153	1-1/4
83.5154	1-1/2

PROPER AUTO SWITCH LOCATION (IN.)

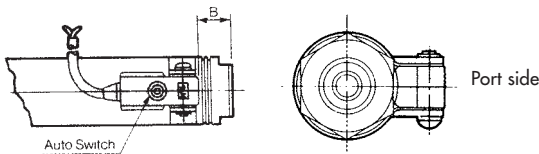
Bore	Mounting strap			
	A	B1	B2	Approx. HS
3/4	0.88	0.79	0.36	0.97
7/8	0.83	0.65	0.37	1.03
1-1/16	0.94	0.69	0.45	1.12
1-1/4	1.26	0.93	0.60	1.22
1-1/2	1.06	0.69	0.49	1.35



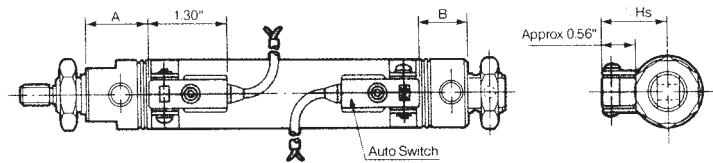
Features

- Enables exact control of cylinder movement
- Attaches to cylinder with mounting strap
- Cylinder must be equipped with a magnetically actuated piston
- Available as an option with Airmax mini cylinders

Front nose mounting



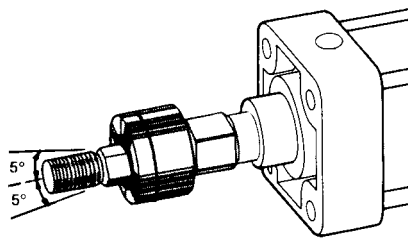
Universal mounting



SELF ALIGNING COUPLER

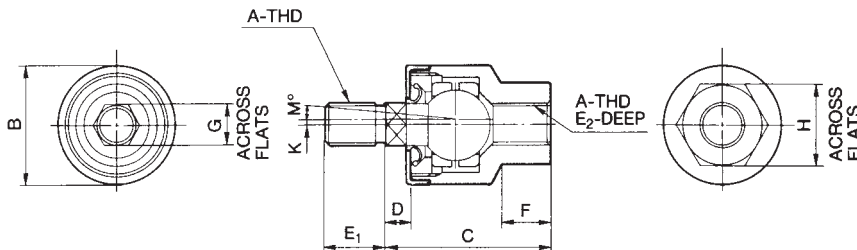
Protects against cylinder misalignment

Part No.	Bore Size
83.5191	3/4 & 7/8
83.5192	1-1/16
83.5194	1-1/4 & 1-1/2



Features

- Enables automatic alignment of the rod and the attachment point
- Prolongs cylinder life by avoiding lateral stress induced by poor alignment
- Allows up to 5 degree axial correction
- Not recommended for rotary applications



Part No.	Dimensions										
	A	B	C	D	E1	E2	F	G	H	K	M
83.5191	1/4-28 UNF	0.94	1.38	0.25	0.5	0.5	0.41	0.31	0.56	0.03	5°
83.5192	5/16-24 UNF	0.94	1.38	0.25	0.5	0.5	0.41	0.31	0.56	0.03	5°
83.5194	7/16-20 UNF	1.22	1.83	0.31	0.75	0.75	0.63	0.44	0.75	0.03	5°



Integrated magnetic activator and air cushions

Applications

- For compressed air
- For industries, agriculture, robotics and production equipment

Features

- NFPA Interchangeable
- Integrated air cushions
- Superior quality cylinders
- Interchangeable with major brands of cylinders
- Low friction polished aluminum tube
- Standard lateral tap (Type MXO and MS4)
- Piston integrated magnetic activator

Specifications

Maximum Working Pressure

250 PSI

Minimum Working Pressure

7 PSI

Working Temperature

5°C to 60°C (40°F to 140°F)

Lubrication

Not required (Factory Lubricated)

Construction

Body : Aluminum Alloy

Rod : Chromed Steel

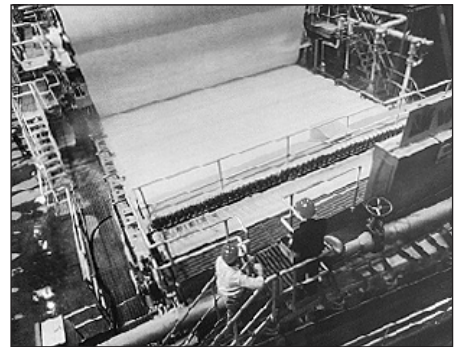
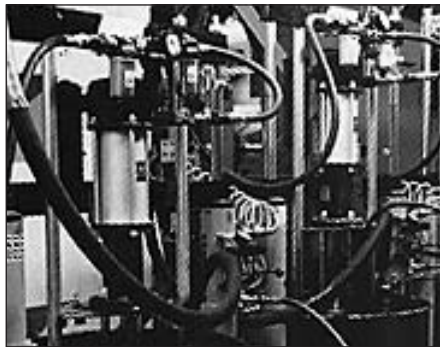
Piston and Seal: Aluminum Alloy

Seal : Nitrile Rubber (NBR)

THEORETICAL CYLINDER FORCE (LBS)

Bore Size (In.)	Action	Operating pressures (PSI)									
		25	50	75	100	125	150	175	200	225	250
1-1/2	Out	44	88	133	177	221	265	309	354	398	442
	IN	36	73	109	146	182	219	255	292	328	365
2	Out	79	157	236	314	393	471	550	628	707	786
	IN	71	141	212	283	354	425	496	567	637	708
2-1/2	Out	123	245	368	491	614	736	859	982	1105	1230
	IN	115	230	345	460	575	670	805	920	1035	1150
3-1/4	Out	207	415	622	830	1037	1244	1452	1660	1867	2074
	IN	187	375	563	751	938	1126	1314	1502	1689	1877
4	Out	314	628	942	1257	1571	1885	2199	2513	2827	3142
	IN	290	589	883	1178	1472	1767	2061	2356	2650	2945
6	Out	707	1414	2121	2827	3534	4241	4948	5655	6362	7069
	IN	670	1339	2009	2679	3349	4018	4688	5358	6027	6697

IDEAL FOR INDUSTRIAL AUTOMATION



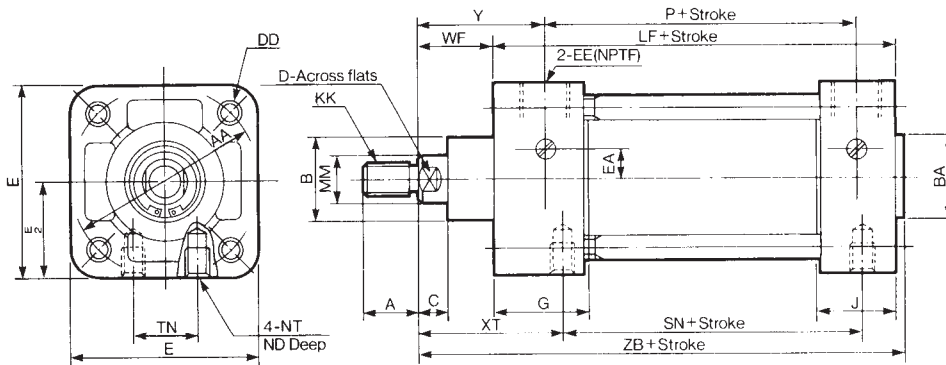
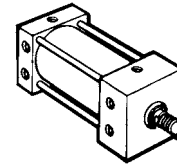
**For any questions
or information about
compressed air
you may contact us at
Tel. : 1-888-730-0501
Fax : 1-888-730-3522
or visit our web site at
www.airmax.ca**

NFPA CYLINDERS

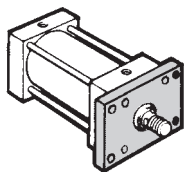
Stroke (In.)	Part No. Bore Size (In.)					
	1 1/2	2	2-1/2	3-1/4	4	6
1	83.6101	83.6201	83.6301	83.6401	83.6501	83.6701
2	83.6102	83.6202	83.6302	83.6402	83.6502	83.6702
3	83.6103	83.6203	83.6303	83.6403	83.6503	83.6703
4	83.6104	83.6204	83.6304	83.6404	83.6504	83.6704
5	83.6105	83.6205	83.6305	83.6405	83.6505	83.6705
6	83.6106	83.6206	83.6306	83.6406	83.6506	83.6706
7	83.6107	83.6207	83.6307	83.6407	83.6507	83.6707
8	83.6108	83.6208	83.6308	83.6408	83.6508	83.6708
9	83.6109	83.6209	83.6309	83.6409	83.6509	83.6709
10	83.6110	83.6210	83.6310	83.6410	83.6510	83.6710
11	83.6111	83.6211	83.6311	83.6411	83.6511	83.6711
12	83.6112	83.6212	83.6312	83.6412	83.6512	83.6712
13	83.6113	83.6213	83.6313	83.6413	83.6513	83.6713
14	83.6114	83.6214	83.6314	83.6414	83.6514	83.6714
15	83.6115	83.6215	83.6315	83.6415	83.6515	83.6715
16	83.6116	83.6216	83.6316	83.6416	83.6516	83.6716
17	83.6117	83.6217	83.6317	83.6417	83.6517	83.6717
18	83.6118	83.6218	83.6318	83.6418	83.6518	83.6718
19	83.6119	83.6219	83.6319	83.6419	83.6519	83.6719
20	83.6120	83.6220	83.6320	83.6420	83.6520	83.6720
21	83.6121	83.6221	83.6321	83.6421	83.6521	83.6721
22	83.6122	83.6222	83.6322	83.6422	83.6522	83.6722
23	83.6123	83.6223	83.6323	83.6423	83.6523	83.6723
24	83.6124	83.6224	83.6324	83.6424	83.6524	83.6724

BASIC MOUNTING (MXO OR MS4)

STANDARD WITH LATERAL TAP



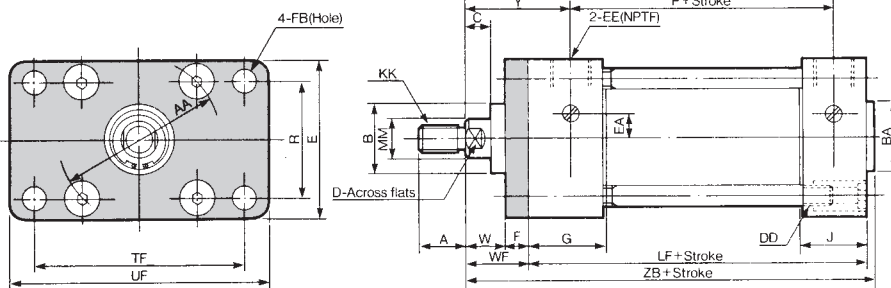
Bore (in.)	Dimensions																								
	MM	KK	A	AA	B	BA	C	D	DD	E	E/2	EA	EE	G	J	ND	NT	TN	WF	XT	Y	LF	P	SN	ZB
1-1/2	5/8	7/16-20	3/4	2.02	1-1/8	1-1/8	3/8	9/16	1/4-28	2	1	0.3	3/8	1.26	1.1	9/32	1/4-20	5/8	1	1-15/16	1.71	3-5/8	2.36	2-1/4	4-3/4
2	5/8	7/16-20	3/4	2.6	1-1/8	1-1/8	3/8	9/16	5/16-24	2-1/2	1-1/4	0.3	3/8	1.26	1.06	7/16	5/16-18	7/8	1	1-15/16	1.71	3-5/8	2.4	2-1/4	4-3/4
2-1/2	5/8	7/16-20	3/4	3.1	1-1/8	1-1/8	3/8	9/16	5/16-24	3	1-1/2	0	3/8	1.3	1.06	19/32	3/8-16	1-1/4	1	1-15/16	1.75	3-3/4	2.48	2-3/8	4-7/8
3-1/4	1	3/4-16	1-1/8	3.9	1-1/2	1-1/2	1/2	7/8	3/8-24	3-3/4	1-7/8	0	1/2	1.57	1.18	5/8	1/2-13	1-1/2	1-3/8	2-7/16	2.34	4-1/4	2.72	2-5/8	5-53/64
4	1	3/4-16	1-1/8	4.7	1-1/2	1-1/2	1/2	7/8	3/8-24	4-1/2	2-1/4	0	1/2	1.57	1.18	5/8	1/2-13	2-1/16	1-3/8	2-7/16	2.34	4-1/4	2.72	2-5/8	5-53/64
6	1-3/8	1-14	1-5/8	6.9	2	2	5/8	1-1/8	1/2-20	6-1/2	3-1/4	0	3/4	2	1.50	-	3/4-10	3-1/4	1-5/8	2-13/16	2.81	5	3.12	3-1/8	6-5/8



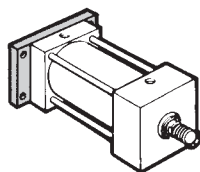
FRONT FLANGE TYPE (MF1 MOUNTING STYLE)

FRONT FLANGE ASSEMBLY*

Part No.	Bore Size (In.)
83.7101	1-1/2
83.7102	2
83.7103	2-1/2
83.7104	3-1/4
83.7105	4
83.7107	6



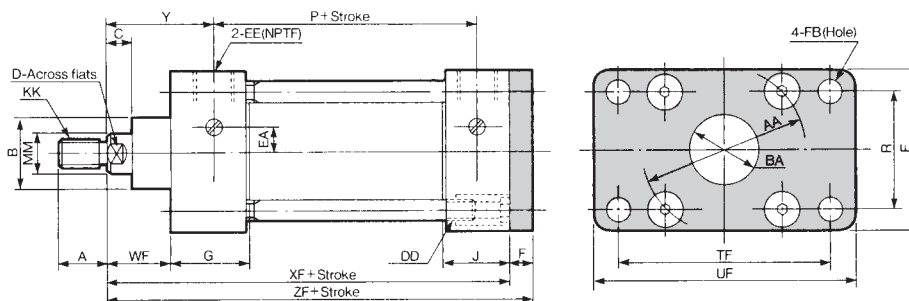
Bore (in.)	Dimensions																								
	MM	KK	A	AA	B	BA	C	D	DD	E	EA	EE	F	FB	G	J	R	TF	UF	W	WF	Y	LF	P	ZB
1-1/2	5/8	7/16-20	3/4	2.02	1-1/8	1-1/8	3/8	9/16	1/4-28	2	0.3	3/8	3/8	5/16	1.26	1.1	1.43	2-3/4	3-3/8	5/8	1	1.71	3-5/8	2.36	4-3/4
2	5/8	7/16-20	3/4	2.6	1-1/8	1-1/8	3/8	9/16	5/16-24	2-1/2	0.3	3/8	3/8	3/8	1.26	1.06	1.84	3-3/8	4-1/8	5/8	1	1.71	3-5/8	2.4	4-3/4
2-1/2	5/8	7/16-20	3/4	3.1	1-1/8	1-1/8	3/8	9/16	5/16-24	3	0	3/8	3/8	3/8	1.3	1.06	2.19	3-7/8	4-5/8	5/8	1	1.75	3-3/4	2.48	4-7/8
3-1/4	1	3/4-16	1-1/8	3.9	1-1/2	1-1/2	1/2	7/8	3/8-24	3-3/4	0	1/2	5/8	7/16	1.57	1.18	2.76	4-11/16	5-1/2	3/4	1-3/8	2.34	4-1/4	2.72	5-53/64
4	1	3/4-16	1-1/8	4.7	1-1/2	1-1/2	1/2	7/8	3/8-24	4-1/2	0	1/2	5/8	7/16	1.57	1.18	3.32	5-7/16	6-1/4	3/4	1-3/8	2.34	4-1/4	2.72	5-53/64
6	1-3/8	1-14	1-5/8	6.9	2	-	5/8	1-1/8	1/2-20	6-1/2	0	3/4	3/4	9/16	2.00	1.25	4.87	7-5/8	8-5/8	7/8	1-5/8	2.81	5	3.12	7-3/8



REAR FLANGE TYPE (MF2 MOUNTING STYLE)

REAR FLANGE ASSEMBLY*

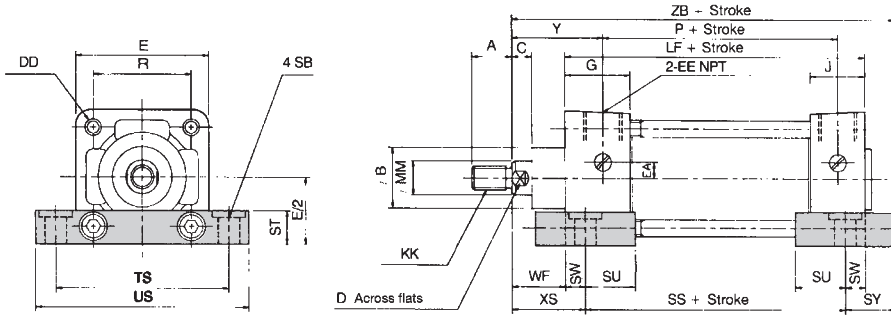
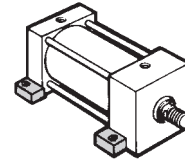
Part No.	Bore Size (In.)
83.7101	1-1/2
83.7102	2
83.7103	2-1/2
83.7104	3-1/4
83.7105	4



Bore (in.)	Dimensions																							
	MM	KK	A	AA	B	BA	C	D	DD	E	EA	EE	F	FB	G	J	R	TF	UF	WF	Y	P	XF	ZF
1-1/2	5/8	7/16-20	3/4	2.02	1-1/8	1-1/8	3/8	9/16	1/4-28	2	0.3	3/8	3/8	5/16	1.26	1.1	1.43	2-3/4	3-3/8	1	1.71	2.36	4-5/8	5
2	5/8	7/16-20	3/4	2.6	1-1/8	1-1/8	3/8	9/16	5/16-24	2-1/2	0.3	3/8	3/8	3/8	1.26	1.06	1.84	3-3/8	4-1/8	1	1.71	2.4	4-5/8	5
2-1/2	5/8	7/16-20	3/4	3.1	1-1/8	1-1/8	3/8	9/16	5/16-24	3	0	3/8	3/8	3/8	1.3	1.06	2.19	3-7/8	4-5/8	1	1.75	2.48	4-3/4	5-1/8
3-1/4	1	3/4-16	1-1/8	3.9	1-1/2	1-1/2	1/2	7/8	3/8-24	3-3/4	0	1/2	5/8	7/16	1.57	1.18	2.76	4-11/16	5-1/2	1-3/8	2.34	2.72	5-5/8	6-1/4
4	1	3/4-16	1-1/8	4.7	1-1/2	1-1/2	1/2	7/8	3/8-24	4-1/2	0	1/2	5/8	7/16	1.57	1.18	3.32	5-7/16	6-1/4	1-3/8	2.34	2.72	5-5/8	6-1/4

*Mounting style not available for 6" bore

SIDE LUG MOUNTING TYPE (MS2 MOUNTING STYLE)

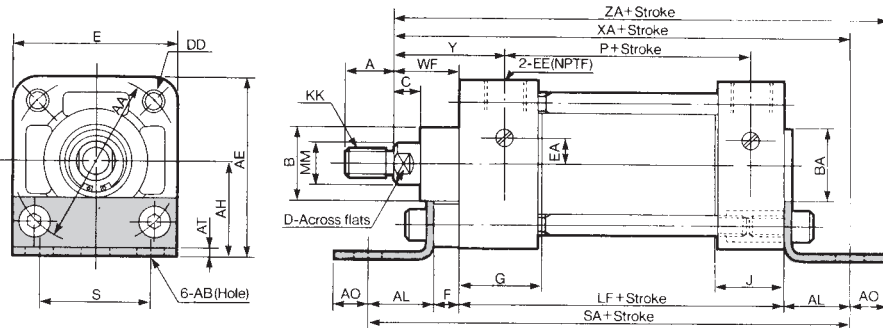
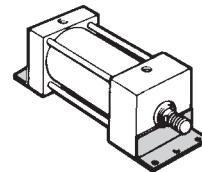


SIDE LUG ASSEMBLY (Set of 2)

Part No.	Bore Size (In.)
83.7121	1-1/2
83.7122	2
83.7123	2-1/2
83.7124	3-1/4
83.7125	4

Bore (in.)	Dimensions																										
	MM	KK	A	B	C	D	DD	E	EA	EE	G	J	LF	P	R	SB	SS	ST	SU	SW	SY	TS	US	WF	XS	Y	ZB
1-1/2	5/8	7/16-20	3/4	1-1/8	3/8	9/16	1/4-28	2	0.3	3/8	1.26	1.1	3.63	2.36	1.43	3/8	2.88	5/8	0.94	3/8	0.94	2.75	3.50	1.00	1.38	1.71	5.19
2	5/8	7/16-20	3/4	1-1/8	3/8	9/16	5/16-24	2-1/2	0.3	3/8	1.26	1.06	3.63	2.4	1.84	3/8	2.88	5/8	0.94	3/8	0.94	3.25	4.00	1.00	1.38	1.71	5.19
2-1/2	5/8	7/16-20	3/4	1-1/8	3/8	9/16	5/16-24	3	0	3/8	1.3	1.06	3.75	2.48	2.19	3/8	3.00	3/4	0.94	3/8	0.94	3.75	4.50	1.00	1.38	1.75	5.31
3-1/4	1	3/4-16	1-1/8	1-1/2	1/2	7/8	3/8-24	3-3/4	0	1/2	1.57	1.18	4.25	2.72	2.76	1/2	3.25	1	1.25	1/2	1.25	4.75	5.75	1.38	1.88	2.34	6.38
4	1	3/4-16	1-1/8	1-1/2	1/2	7/8	3/8-24	4-1/2	0	1/2	1.57	1.18	4.25	2.72	3.32	1/2	3.25	1	1.25	1/2	1.25	5.50	6.50	1.38	1.88	2.34	6.38
6	1-3/8	1-14	1-5/8	2	5/8	1-1/8	1-1/2-20	6-1/2	0	3/4	2	1.50	5	3.12	4.87	3/4	3.12	.69	.69	7/16	.69	7.87	9.25	1-5/8	2.81	2.81	6.62

FOOT TYPE (MS1 MOUNTING STYLE)

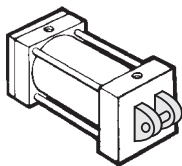


FOOT LUG ASSEMBLY* (Set of 2)

Part No.	Bore Size (In.)
83.7141	1-1/2
83.7142	2
83.7143	2-1/2
83.7144	3-1/4
83.7145	4
83.7147	6

Bore (in.)	Dimensions																												
	MM	KK	A	AA	AB	AE	AH	AL	AO	AT	B	BA	C	D	DD	E	EA	EE	F	G	J	S	WF	Y	P	LF	SA	XA	ZA
1-1/2	5/8	7/16-20	3/4	2.02	3/8	2-3/16	1-3/16	1	7/16	1/8	1-1/8	1-1/8	3/8	9/16	1/4-28	2	0.3	3/8	3/8	1.26	1.1	1-1/4	1	1.71	2.36	3-5/8	6	5-5/8	6-1/16
2	5/8	7/16-20	3/4	2.6	3/8	2-11/16	1-7/16	1	9/16	1/8	1-1/8	1-1/8	3/8	9/16	5/16-24	2-1/2	0.3	3/8	3/8	1.26	1.06	1-3/4	1	1.71	2.4	3-5/8	6	5-5/8	6-3/16
2-1/2	5/8	7/16-20	3/4	3.1	3/8	3-1/8	1-5/8	1	9/16	1/8	1-1/8	1-1/8	3/8	9/16	5/16-24	3	0	3/8	3/8	1.3	1.06	2-1/4	1	1.75	2.48	3-3/4	6-1/8	5-3/4	6-5/16
3-1/4	1	3/4-16	1-1/8	3.9	1/2	3-13/16	1-15/16	1-1/4	3/4	11/64	1-1/2	1-1/2	1/2	7/8	3/8-24	3-3/4	0	1/2	5/8	1.57	1.18	2-3/4	1-3/8	2.34	2.72	4-1/4	7-3/8	6-7/8	7-5/8
4	1	3/4-16	1-1/8	4.7	1/2	4-1/5	2-1/4	1-1/4	3/4	15/64	1-1/2	1-1/2	1/2	7/8	3/8-24	4-1/2	0	1/2	5/8	1.57	1.18	3-1/2	1-3/8	2.34	2.72	4-1/4	7-3/8	6-7/8	7-5/8

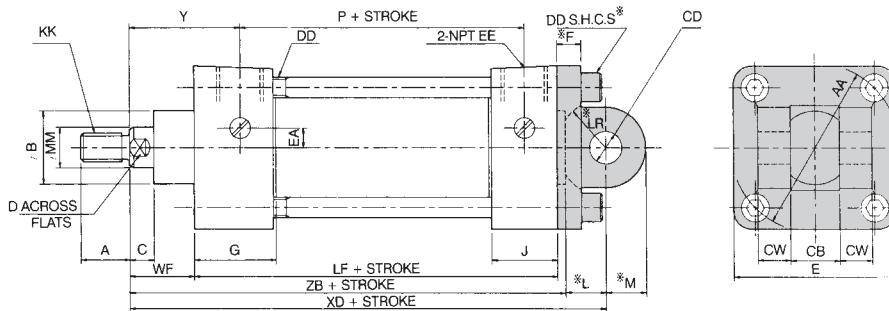
*Mounting style not available for 6" bore



DOUBLE REAR CLEVIS TYPE (MP1 MOUNTING STYLE)

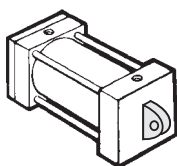
DOUBLE REAR CLEVIS ASSEMBLY

Part No.	Bore Size (In.)
83.7151	1-1/2
83.7152	2
83.7153	2-1/2
83.7154	3-1/4
83.7155	4
83.7157	6



Bore (in.)	Dimensions																									
	MM	KK	A	AA	B	C	CB	CD	CW	D	DD	E	EA	EE	F	G	J	L	LR	M	WF	XD	Y	LF	P	ZB
1-1/2	5/8	7/16-20	3/4	2.02	1-1/8	3/8	3/4	1/2	1/2	9/16	1/4-28	2	0.3	3/8	3/8	1.26	1.1	0.62	0.75	0.62	1	5-3/8	1.71	3-5/8	2.36	4.75
2	5/8	7/16-20	3/4	2.6	1-1/8	3/8	3/4	1/2	1/2	9/16	5/16-24	2-1/2	0.3	3/8	3/8	1.26	1.06	0.62	0.75	0.62	1	5-3/8	1.71	3-5/8	2.4	4.75
2-1/2	5/8	7/16-20	3/4	3.1	1-1/8	3/8	3/4	1/2	1/2	9/16	5/16-24	3	0	3/8	3/8	1.3	1.06	0.62	0.75	0.62	1	5-1/2	1.75	3-3/4	2.48	4.88
3-1/4	1	3/4-16	1-1/8	3.9	1-1/2	1/2	1-1/4	3/4	5/8	7/8	3/8-24	3-3/4	0	1/2	5/8	1.57	1.18	1.05	1.25	0.87	1-3/8	6-7/8	2.34	4-1/4	2.72	5.83
4	1	3/4-16	1-1/8	4.7	1-1/2	1/2	1-1/4	3/4	5/8	7/8	3/8-24	4-1/2	0	1/2	5/8	1.57	1.18	1.05	1.25	0.87	1-3/8	6-7/8	2.34	4-1/4	2.72	5.83

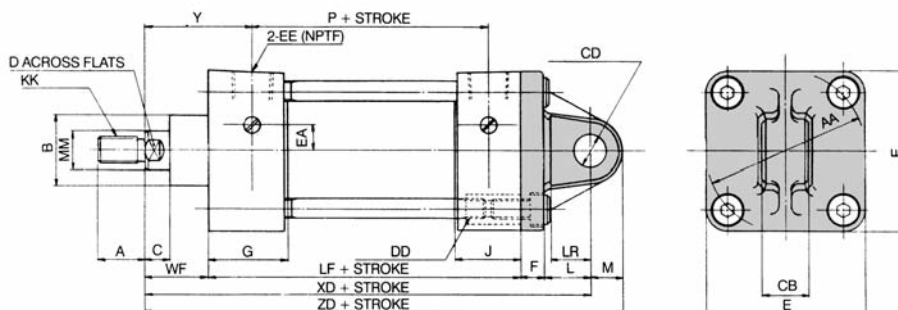
*Mounting style not available for 6" bore



SINGLE REAR CLEVIS TYPE (MP4 MOUNTING STYLE)

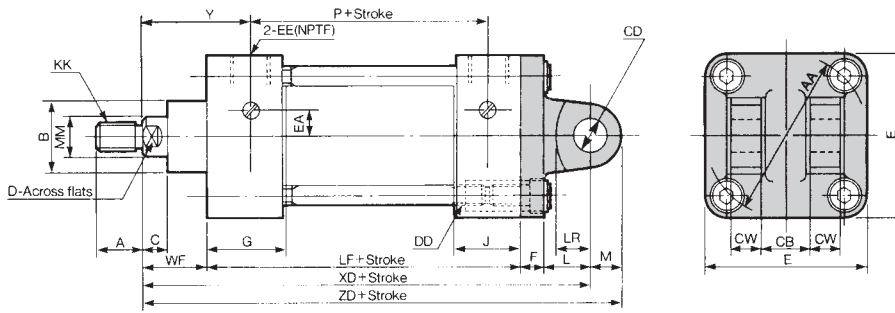
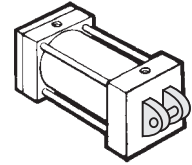
SINGLE REAR CLEVIS ASSEMBLY

Part No.	Bore Size (In.)
83.7161	1-1/2
83.7162	2
83.7163	2-1/2
83.7164	3-1/4
83.7165	4
83.7167	6



Bore (in.)	Dimensions																								
	MM	KK	A	AA	B	C	CB	CD	D	DD	E	EA	EE	F	G	J	L	LR	M	WF	XD	Y	LF	P	ZD
1-1/2	5/8	7/16-20	3/4	2.02	1-1/8	3/8	3/4	1/2	9/16	1/4-28	2	0.3	3/8	3/8	1.26	1.1	3/4	5/8	1/2	1	5-3/4	1.71	3-5/8	2.36	6-1/4
2	5/8	7/16-20	3/4	2.6	1-1/8	3/8	3/4	1/2	9/16	5/16-24	2-1/2	0.3	3/8	3/8	1.26	1.06	3/4	5/8	1/2	1	5-3/4	1.71	3-5/8	2.4	6-1/4
2-1/2	5/8	7/16-20	3/4	3.1	1-1/8	3/8	3/4	1/2	9/16	5/16-24	3	0	3/8	3/8	1.3	1.06	3/4	5/8	1/2	1	5-7/8	1.75	3-3/4	2.48	6-3/8
3-1/4	1	3/4-16	1-1/8	3.9	1-1/2	1/2	1-1/4	3/4	7/8	3/8-24	3-3/4	0	1/2	5/8	1.57	1.18	1-1/4	1	3/4	1-3/8	7-1/2	2.34	4-1/4	2.72	8-1/4
4	1	3/4-16	1-1/8	4.7	1-1/2	1/2	1-1/4	3/4	7/8	3/8-24	4-1/2	0	1/2	5/8	1.57	1.18	1-1/4	1	3/4	1-3/8	7-1/2	2.34	4-1/4	2.72	8-1/4
6	1-3/8	1-14	1-5/8	6.9	2	5/8	1-1/2	1	1-1/8	1/2-20	6-1/2	0	3/4	3/4	2	1.50	1-1/2	-	1	1-5/8	8-7/8	2.81	5	3.12	9-7/8

**DOUBLE DETACHABLE REAR CLEVIS TYPE
(MP2 MOUNTING STYLE)**



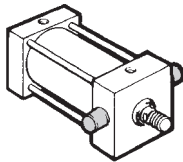
**DOUBLE DETACHABLE
REAR CLEVIS ASSEMBLY**

Part No.	Bore Size (In.)
83.7171	1-1/2
83.7172	2
83.7173	2-1/2
83.7174	3-1/4
83.7175	4
83.7177	6

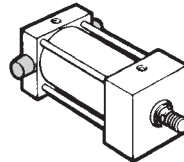
Bore (in.)	Dimensions																									
	MM	KK	A	AA	B	C	CB	CD	CW	D	DD	E	EA	EE	F	G	J	L	LR	M	WF	XD	Y	LF	P	ZD
1-1/2	5/8	7/16-20	3/4	2.02	1-1/8	3/8	3/4	1/2	1/2	9/16	1/4-28	2	0.3	3/8	3/8	1.26	1.1	3/4	5/8	1/2	1	5-3/4	1.71	3-5/8	2.36	6-1/4
2	5/8	7/16-20	3/4	2.6	1-1/8	3/8	3/4	1/2	1/2	9/16	5/16-24	2-1/2	0.3	3/8	3/8	1.26	1.06	3/4	5/8	1/2	1	5-3/4	1.71	3-5/8	2.4	6-1/4
2-1/2	5/8	7/16-20	3/4	3.1	1-1/8	3/8	3/4	1/2	1/2	9/16	5/16-24	3	0	3/8	3/8	1.3	1.06	3/4	5/8	1/2	1	5-7/8	1.75	3-3/4	2.48	6-3/8
3-1/4	1	3/4-16	1-1/8	3.9	1-1/2	1/2	1-1/4	3/4	5/8	7/8	3/8-24	3-3/4	0	1/2	5/8	1.57	1.18	1-1/4	1	3/4	1-3/8	7-1/2	2.34	4-1/4	2.72	8-1/4
4	1	3/4-16	1-1/8	4.7	1-1/2	1/2	1-1/4	3/4	5/8	7/8	3/8-24	4-1/2	0	1/2	5/8	1.57	1.18	1-1/4	1	3/4	1-3/8	7-1/2	2.34	4-1/4	2.72	8-1/4
6	1-3/8	1-14	1-5/8	6.9	2	5/8	1-1/2	-	3/4	1-1/8	1/2-20	6-1/2	0	3/4	3/4	2	1.50	1-1/2	-	1	1-5/8	8-7/8	2.81	5	3.12	9-7/8

OTHER CONFIGURATIONS AVAILABLE UPON REQUEST

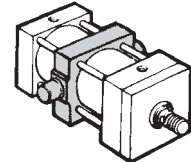
**FRONT TRUNNION TYPE
(MT1 STYLE)**



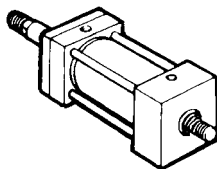
**REAR TRUNNION TYPE
(MT2 STYLE)**



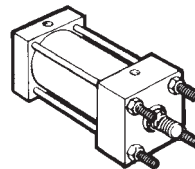
**CENTER TRUNNION TYPE
(MT4 STYLE)**



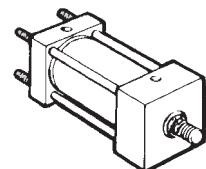
DOUBLE ROD CYLINDERS



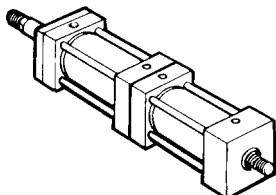
**EXTENDED TIE RODS HEAD
END (MX3 STYLE)**



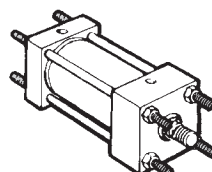
**EXTENDED TIE RODS CAP END
(MX2 STYLE)**



BACK TO BACK MOUNTING

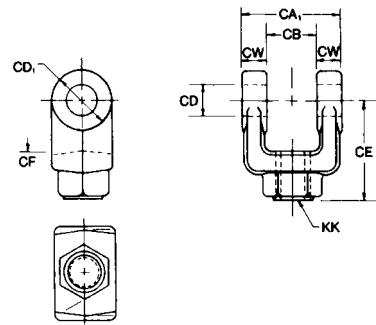


**TIE RODS EXTENDED BOTH
ENDS (MX1 STYLE)**



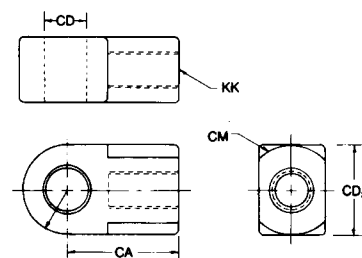
PISTON ROD CLEVIS- (ROD JAM NUT AND PIVOT PIN INCLUDED)

Part No.	Applicable Bore Size	Dimensions							
		CA1	CB	CD	CD1	CE	CF	CW	KK
83.7201	1-1/2, 2, 2-1/2	1.765	0.77	0.50	1.0	1.50	0.38	0.50	7/16-20
83.7204	3-1/4, 4	2.515	1.26	0.75	1.5	2.38	0.56	0.62	3/4-16
83.7207	6	3.031	1.53	1.00	2.0	3.12	1.00	0.75	1-14



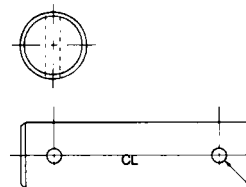
PISTON ROD EYE - (ROD JAM NUT INCLUDED)

Part No.	Applicable Bore Size	Dimensions					
		CA	CB	CD	CD2	CM	KK
83.7211	1-1/2, 2, 2-1/2	1.50	0.75	0.50	1.0	1.0	7/16-20
83.7214	3-1/4, 4	2.06	1.25	0.75	1.5	1.5	3/4-16
83.7217	6	2.81	1.50	1.00	2.0	2.0	1-14



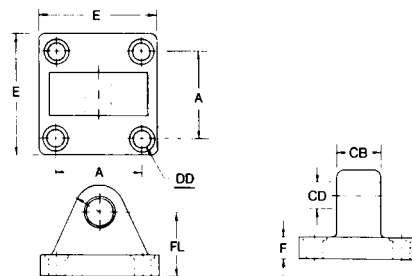
PIVOT PIN (COTTER PINS INCLUDED)

Part No.	Applicable Bore Size	O.D.
83.7221	1-1/2, 2, 2-1/2	0.50
83.7224	3-1/4, 4	0.75
83.7227	6	0.74



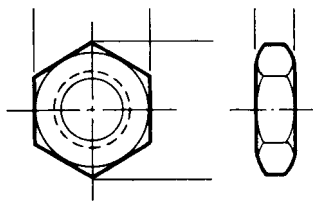
EYE BRACKET (AT WALL)

Part No.	Applicable Bore Size	Dimensions						
		A	E	CB	CD	DD	F	FL
83.7231	1-1/2, 2, 2-1/2	1.62	2.5	0.75	0.50	0.50	0.38	1.12
83.7234	3-1/4, 4	2.56	3.5	1.25	0.75	0.65	0.62	1.88
83.7237	6	4.87	6.5	1.50	1.00	0.53	0.75	2.25



ROD JAM NUT

Part No.	Applicable Bore Size
83.7251	1-1/2, 2, 2-1/2
83.7254	3-1/4, 4



REPLACEMENT SEAL KIT

Part No.	Applicable Bore Size
83.7301	1-1/2
83.7302	2
83.7303	2-1/2
83.7304	3-1/4
83.7305	4
83.7307	6

MAGNETIC AUTO SWITCH

MAGNETIC AUTO SWITCH

Part No.	Indicator light
83.7263	Yes
83.7273	No

AUTO SWITCH MOUNTING BRACKET*

Part No.	Applicable Bore Size
83.7281	1-1/2
83.7282	2, 2-1/2
83.7284	3-1/4, 4

*6" Available upon request only

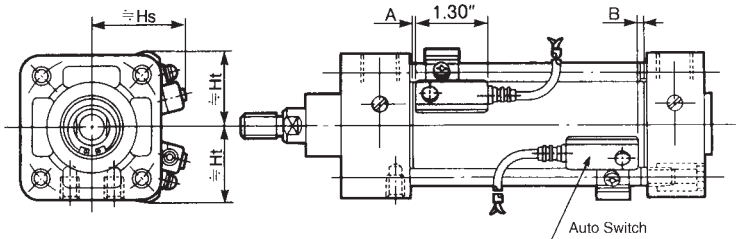


Features

- Enables precise control of cylinder movement
- Mounts on cylinder with bracket
- All NFPA Airmax cylinders are equipped with a magnetic activator integrated into the piston

AUTO SWITCH MOUNTING POSITION (IN.)

Bore Size	A	B	Hs Approx.	Minimum Stroke
1-1/2	0.01	0.06	1.52	0.6
2	0.01	0.10	1.72	0.6
2-1/2	0.00	0.22	1.89	0.6
3-1/4	0.07	0.24	2.23	0.6
4	0.07	0.24	2.50	0.6



REPLACEMENT SEAL KIT

Part No.	Applicable Bore Size
83.7301	1-1/2
83.7302	2
83.7303	2-1/2
83.7304	3-1/4
83.7305	4
83.7307	6

Features

- Synthetic rubber seals (NBR)
- Includes seal for cushion, rod, piston and cylinder tube



**SELF ALIGNING COUPLER
PROTECTS AGAINST CYLINDER
MISALIGNMENT**

Part No.	Applicable Bore Size
83.7411	1-1/2, 2, 2-1/2
83.7414	3-1/4, 4

Features

- Automatic alignment of the cylinder rod and the attachment point
- Prolongs cylinder life by avoiding lateral stress due to poor alignment
- Allows up to 5 degree axial correction
- Not recommended for rotary applications